

Chrome Turn Signal Mounting Bracket

Everything necessary for installing turn signals on the front of 4- or 5-speed FL models from 68-92. The universal mounting clamp permits installation on a variety of motorcycles.

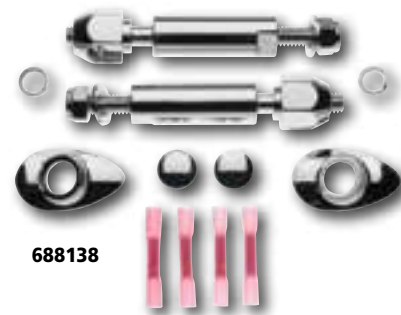
- 19239** Turn signal mounting kit – includes one of CC #'s 19237 and 19238 (repl. OEM 68518-68)
- 19237** Standoff ONLY (repl. OEM 68519-68) sold each
- 19238** Spotlamp housing mounting clamp ONLY (repl. OEM 68795-68) sold each



688135



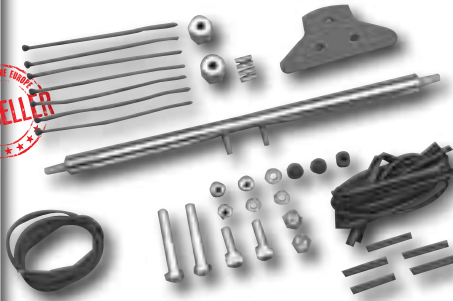
688136



688138



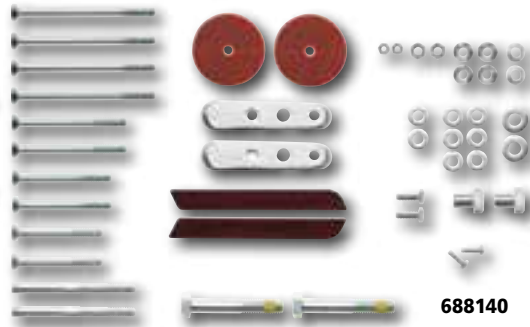
688137



Lowered Turn Signal Kit

This custom lowered turn signal kit relocates the turn signals from the fender struts to a new, lower position, which provides more clearance for installing saddlebags and gives a cleaner look. The chrome turn signal mounting bar is 12" wide and threaded to accept stock type turn signals, and fastens easily using the license plate bracket mounting holes. Kit includes chrome turn signal bar, wiring, and hardware. Turn signals sold separately. Fits FX and FXR models 73-99, XL 73-03.

380220 Replaces OEM 68512-89



688140



688141



688139

Chrome Turn Signal Relocation Kits

Make room for those big saddle bags with these comprehensive relocation kits. They come with all necessary hardware.

- 688135** Relocation kit to mount turn signals on license bracket XL, FXD, FLST (OEM 68372-02A)
- 688136** Relocation kit for 00-13 Softtail except FXSTD, FLSTC (OEM 53820-00)
- 688137** Relocation kit for 03-13 FXST, FLSTF, FLSTSB, FXSTSB (OEM 53959-06)
- 688138** Relocation kit for 02 Softtail except FXSTD, FLSTC (OEM 53859-02A)
- 688139** Relocation kit for 04-13 XL models (OEM 68747-04)
- 688140** Relocation kit for 94-03 XL models (OEM 68485-04)
- 688141** Studs for 688140 when used on 02-03 XL models

