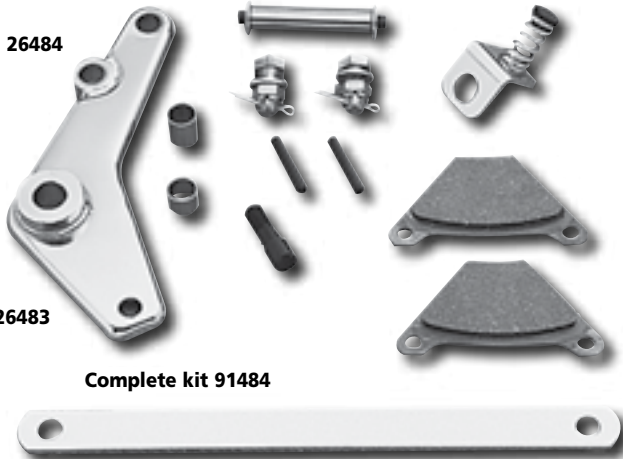




RST Caliper Replacement Parts

Caliper #	Brake Pads	Gaskets	Banjo	Bleeder
84415	84449	84463	84454	84453
84421		84463	84454	84453
84425	84451	84462	84454	84453
84444	84452	84464	84454	84453
84448	84452	84464	84454	84453
86131	86204	84463	84454	84453
86133	86204	84463	84454	84453

683248 RST replacement brake piston



Complete kit 91484

Rear Brake Rebuild Kit

This kit contains all the parts necessary to repair worn, rattling "banana" style rear calipers on FL and FX models 73-80. Complete as shown, including an oversized pin to repair badly worn (oval) caliper through holes.

- 91484** Complete kit (includes hardware kit)
- 26406** Mounting kit. Fits FL and FX models 73-80
- 26483** Chrome steel brake anchor. Replaces OEM 44154-73T
- 26484** Mounting bracket only (Includes bushings). Replaces OEM 44166-73
- 12435** 'Brake MAX' pad set



13036

13035

Caliper Mounting 'Y' Brackets

For 10" Rotor Systems

Patterned after the later 11 1/2" caliper support used from 81-83, these unique brackets provide improved support and alignment for 10" rotor systems. Fit all Big Twin rear discs from 73-80.

13036 Chrome

For 11 1/2" Rotor Systems

Fits all 81-82 FX models and 83 FXEs. Available with a durable gloss black powder coat or chrome-plated.

13035 Gloss black powder coat (replaces OEM 44015-81)



13081

13080

Rear Caliper Brackets

Improve swingarm and rear brake appearance with these chrome-plated or black wrinkle painted replacements for the Original Equipment parts. Cast aluminum brackets are engineered for use with Kelsey-Hayes-style brake calipers used since late 87. Includes retainer, bushings, and rubber bumper.

Chrome

13080 Fits all Softail models from late 87-99 (repl. OEM 44207-87)

13081 Fits all FXR models from late 87-94 (repl. OEM 44205-84)



Rear Brake Mount Service Kit

Kit includes two pins and boots. Replaces OEM 44039-86, for most Big Twins 87-99.

688553 Brake mount service kit



Dual Disc Caliper Bolt Kit

Contains 4 chrome sockethead shoulder bolts and nuts. Designed to mount the front dual disc brake calipers on FX, FXR, FXWG and XL models 77-83. Set of 4.

25210 Replaces OEMs 44173-77, 44174-77

- ★ APPAREL
- ★ SEATS & TOURING
- ★ FOOT CONTROLS
- ★ HAND CONTROLS
- ★ LIGHTING
- ★ ELECTRICAL
- ★ EXHAUST
- ★ INTAKE
- ★ ENGINE
- ★ GASKETS
- ★ TRANNY & CLUTCH
- ★ DRIVELINE
- ★ WHEELS, TIRES & BRAKES
- ★ FRAMES
- ★ FORKS & SHOCKS
- ★ SHEETMETAL
- ★ INSTRUMENTS & GAUGES
- ★ LUBRICANTS & CHEMICALS
- ★ TOOLS & EQUIPMENT
- ★ LAST MINUTE