

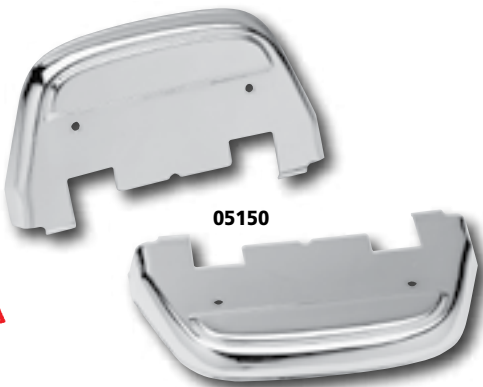
TourEase Custom Floorboard Pads

Feature non-slip rubber pads, chrome slotted covers. Ready for mounting on stock floorboard bases.

14319 Sold in pairs 91-14



651809



05150

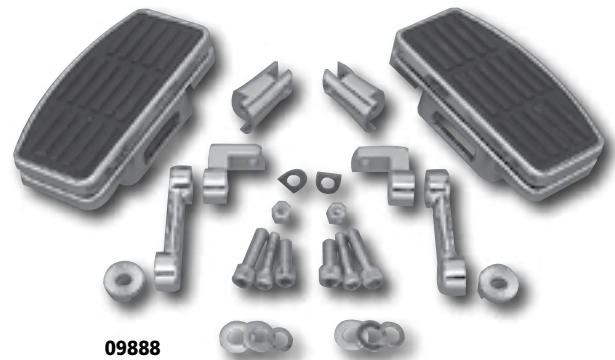


Chrome Undercovers for Passenger Floorboards

Look good even when passenger floorboards are folded up. Simple installation limited to drilling mounting holes in the floorboard bases. Sold in pairs.

05150 Chrome, Fits all Touring models 87-14

651809 Black, Fits all Touring models 87-14



09888

Adjustable Passenger's Mini-Floorboard Kits for Softail Models

Designed to bolt to the passenger footpeg mounting points. Mini "Shaker" floorboards have vibration-absorbing dampers. Both kits have 7/8" of fore-to-aft movement and may be rotated in a 360° arc. Kits include everything necessary to make the conversion, and fit all FX Softail models and FLST models from 84-99, and FLSTC models from late 87-89 (90-99 FLSTC models must use CC #09904). Floorboards measure approx. 7 1/4" x 3 1/2".

09888 Kit with "Shaker" mini-floorboards

09904 Kit with "Shaker" mini-floorboards for FLSTC models from 90-99, all FXR models 82-00



Floorboard Adapter Bracket

Special bracket used when installing muffler pipes on 70-84 4-speed FL models, to keep floorboards clear of pipes.

280010 Sold each