

605135

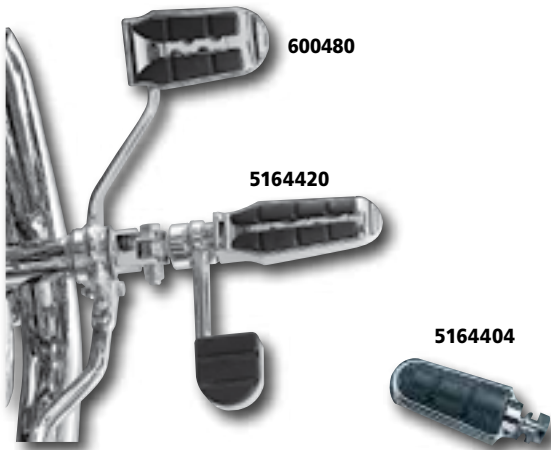


605134

**Zombie Pegs by Kuryakyn**

Zombies are taking over! Unique style and durability make these pegs a stunning addition to your bike. With an ominous Zombie skull nestled between the rubber pads with a sinister spire point filling the void - these pegs mean business. A perfect match to our Zombie Levers, Zombie Grips or any of the multitude of Zombie series items available.

- 605135 Zombie Footpegs (pr)
- 605134 Zombie Shift Peg (ea.)



600480

5164420

5164404



**Kuryakyn 'Retro Pegs'**

The comfort of the classic ISO-Pegs with more modern, updated styling. The same vibration-absorbing material is used for a stylized, sleek tread. The body of the peg has a trim profile and most of the interchangeable mounts and options available for the ISO-Pegs will also work with the Retro Pegs.

- 5164420 Male mount ISO-Stirrup with Retro Peg (Sold in pairs)
- 5164404 Retro Peg shift peg (sold each)
- 600744 Retro Male Mount pegs (sold in pairs)
- 600480 Retro Brake Pedal Pad (FXST & FXDWG)



609974

605136

609975



**Kuryakyn Stiletto Pegs**

The radical Stiletto Peg is designed for those who ride on the wild side. The line includes pegs with stirrups, and a shifter toe peg ready to outfit any model using male mount pegs.

- 605136 Male mount Stiletto footpegs (pair)
- 609974 Male mount ISO-Stirrup with Stiletto Peg (Sold in pairs)
- 609975 Shifter toe peg (sold each)



48250

48252

48227



605322

605321



**Kuryakyn ISO-Pegs**

ISO-Pegs dampen vibration while giving your scooter that custom look - All at the same time! The industries most comfortable footpegs

- Foot Pegs**
- 48227 ISO-Pegs 'Dually', male mount (pr)
  - 48252 ISO-Pegs Large, male mount (pr)
  - 48250 ISO-Pegs Small, male mount (pr)

**Shift Pegs**

- Finish off your set of ISO-Pegs with the ISO-Shift Pegs. The standard model is stock-like in size; the Longhorn has one more O-ring and is 5/8" longer (great for extended controls).
- 605322 Longhorn ISO-Shift Peg (ea.)
  - 605321 ISO-Shift Peg (ea.)