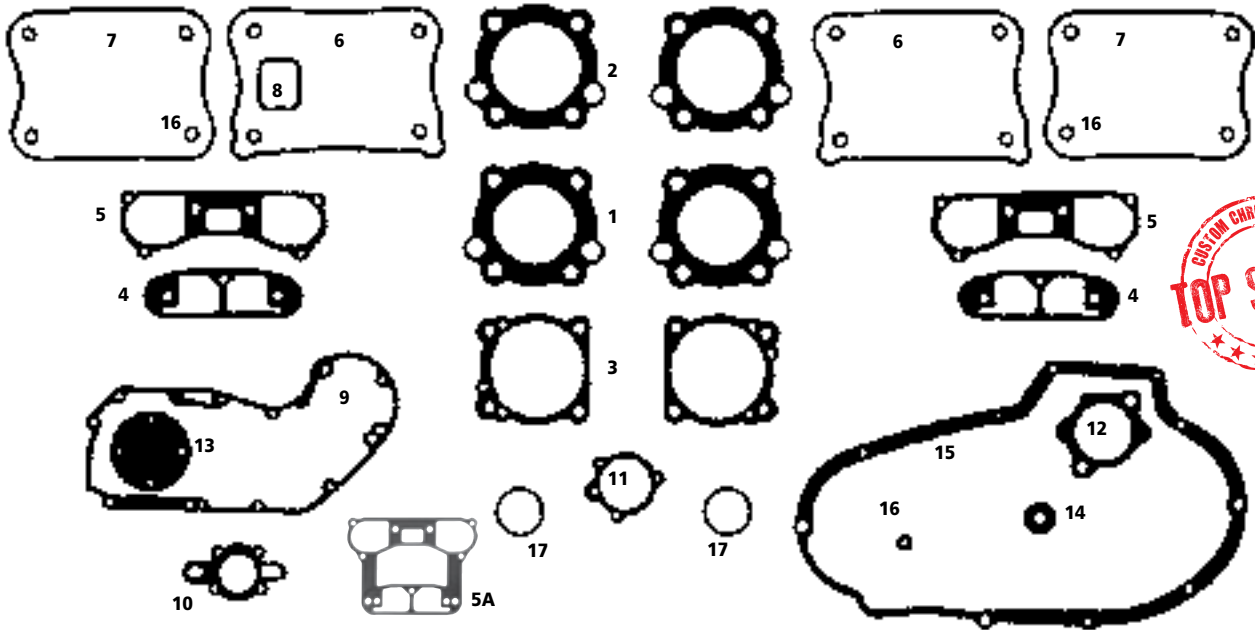


★ EVOLUTION SPORTSTER ★



Motor Factory Complete Engine Gasket Kits for Evolution Sportster Models

State of the art gasket material composites have gone into producing gasket kits that will greatly improve the life of your engine. On the back side of each gasket kit will be a content label listing all the gaskets, O-rings and seals contained in each kit.

- Head gaskets are made of a high performance facing material with graphite coating on steel core with fire ring. This multi-layer fiber/metal reinforced composite head gasket delivers improved combustion sealing strength along with excellent bolt load retention and outstanding resistance to blowout. With the graphite coating anti-stick properties will not stick upon disassembly
- All covers, and intake gaskets are made of Micropore material that is best suited for a variety of cover application and is resistant to fuel and will not creep, crack or become brittle
- Each kit comes complete with all the necessary gaskets, seals, and O-rings needed to completely rebuild your engine, or just portions of it

Complete Engine Gasket Kits

Complete engine kits for Evolution Sportster models include all the high-density gaskets, seals and O-rings necessary to rebuild the engine, transmission and oil pump of the specific model listed

- 660433** Fits 883cc models 86-90
- 660434** Fits 883cc models 91-03
- 660300** Fits 883cc models 04-06
- 660437** Fits 1100cc models 86-87
- 660435** Fits 1200cc models 88-90
- 660436** Fits 1200cc models 91-03
- 660301** Fits 1200cc models 04-06

Top End Gasket Kits

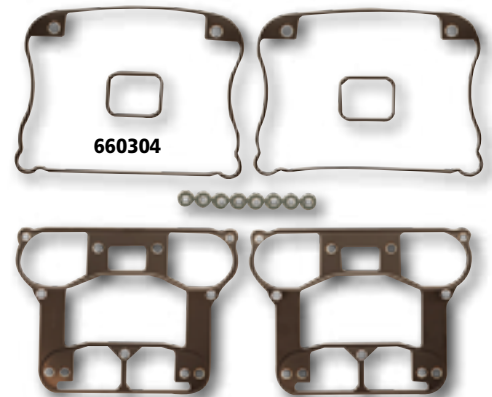
Includes everything necessary to rebuild the engine from the cylinder base up.

- 660438** Fits 883cc models 86-90
- 660439** Fits 883cc models 91-03
- 660302** Fits 883cc models 04-06
- 660442** Fits 1100cc models 86-87
- 660440** Fits 1200cc models 88-90
- 660441** Fits 1200cc models 91-03
- 660303** Fits 1200cc models 04-06

Rocker Box Gasket Kits

Includes gasket, seals, and washers necessary to install a 3-piece rocker cover on Evolution Sportster engines. Rocker box cover gaskets (left, right) are made of Hydro-Fused, the lower and upper gaskets are made of high temperature, oil resistant silicone. 04-06 kits include one piece rocker box gasket made of rubber coated steel (RCS).

- 660443** Fits Sportster models from 86-90 (cork seals, and gaskets)
- 660445** Fits Sportster models from 91-03 (silicone rubber seals, and Hydro-Fused gaskets)
- 660304** Fits Sportster models 04-06 (silicone rubber seals, and RCS gasket)



10

GASKETS